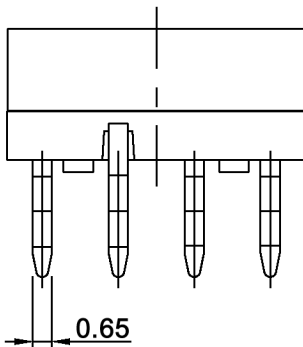
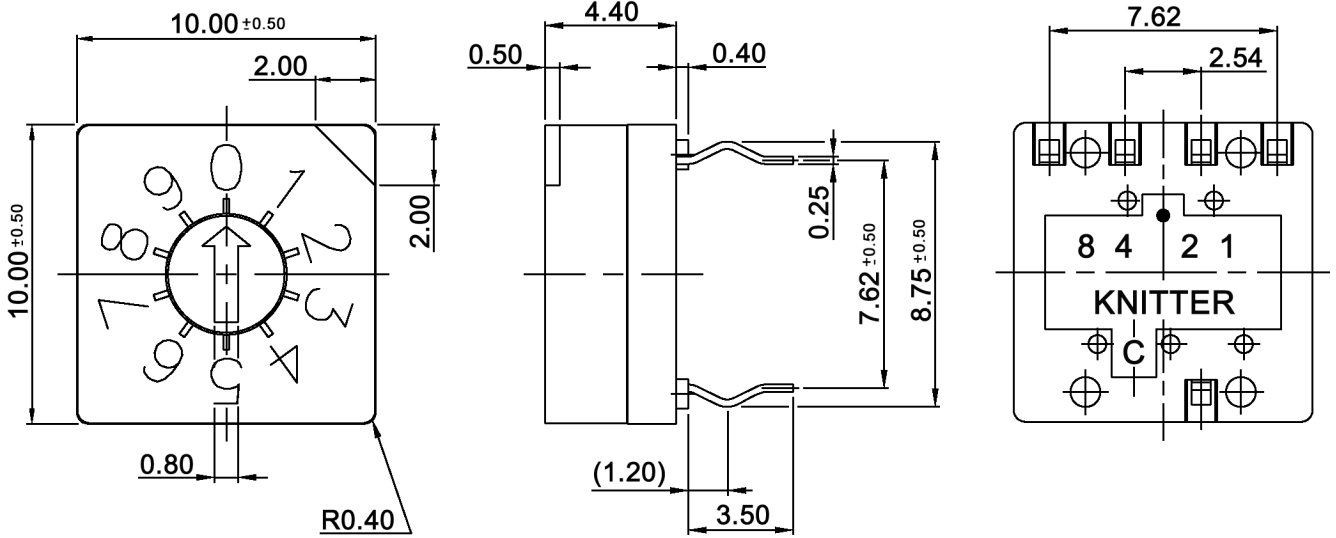
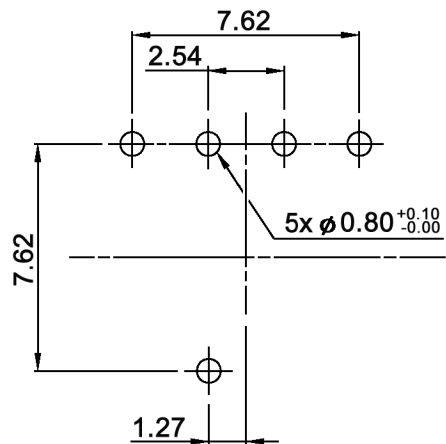


DRS 3000:



P.C.B. LAYOUT



Tolerances:	Date	Name
	05/84	Ey
Revised	08/09	dr
Soldering conditions	04/08	dr
RoHS compliant	09/05	rs
Modifications	Date	Name

DRS 3000 / DRS 4000

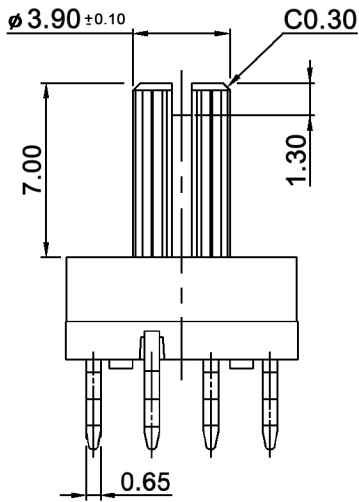
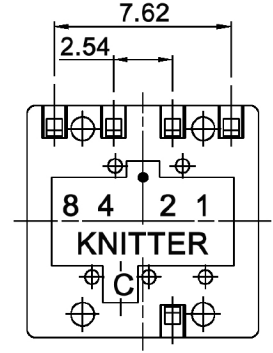
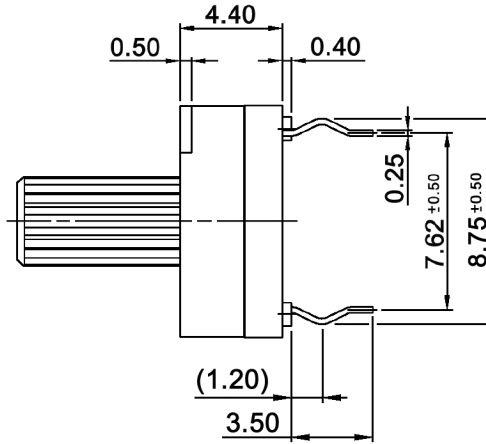
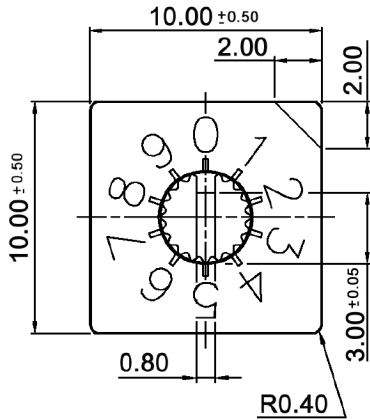
knitter-switch

20 25 13

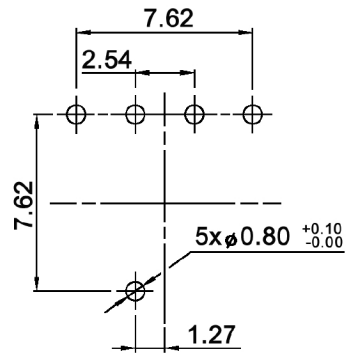
Page

1/3

DRS 4000:



P.C.B. LAYOUT

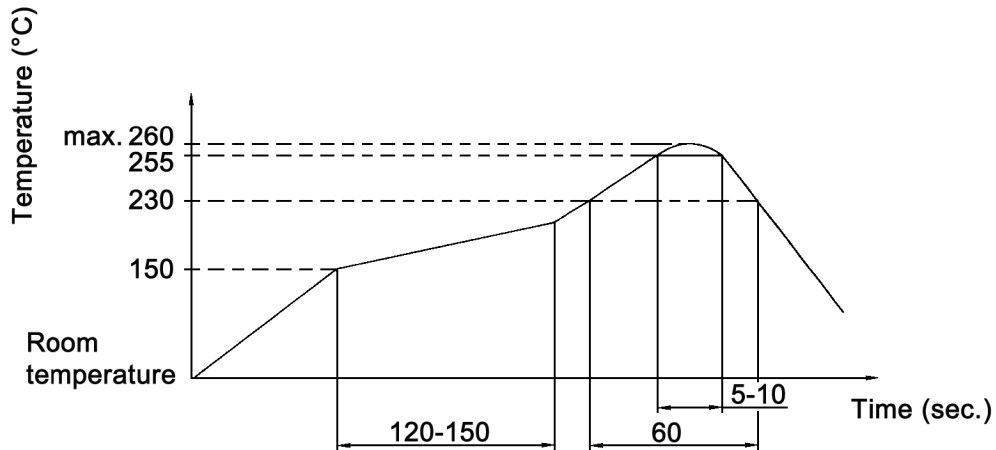


Tolerances:	Date	Name	DRS 3000 / DRS 4000
	05/84	Ey	
			knitter-switch
			20 25 13
Modifications	Date	Name	Page 2/3

Specifications:

Contact rating: non-switching: 100mA, 50V DC
 switching: 30mA, 15V DC
Contact resistance: 100mOhm max.
Insulation resistance: 1 000MOhm min. at 250V DC
Dielectric strength: 250V AC for 1 minute
Operating temperature: -40°C to +85°C
Mechanical life: 20 000 cycles min.
Operating force: 250 gf.cm max.
Material: Base / cover: high-temp. thermoplastic nylon UL94V-0, molded black
 Movable contact: alloy copper, gold plated
 Actuator: high-temp. thermoplastic nylon UL94V-0, color: yellow
 O-ring: silicone
 Spring: stainless steel
 Terminal: brass, gold plated

Soldering conditions: wave soldering: 260°C, 5sec. max.
 through hole reflow: 260 +/-5°C, 4-6sec.



Tolerances:			Date	Name	DRS 3000 / DRS 4000	20 25 13	Page
			05/84	Ey			
			knitter-switch				3/3
Modifications	Date	Name					