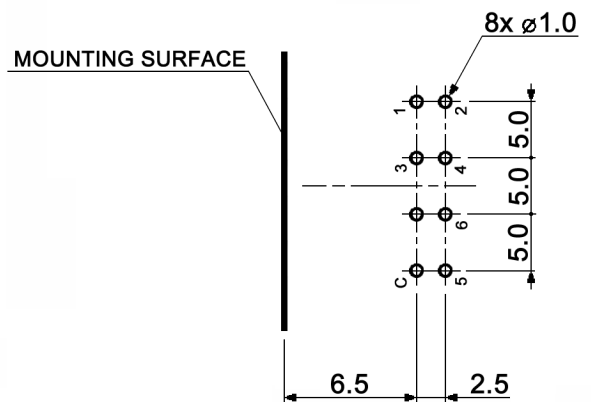


		40 Positions																																													
		1	2	3	4	5	6	7	8	9	10	11	12	13	14	15	16	17	18	19	20	21	22	23	24	25	26	27	28	29	30	31	32	33	34	35	36	37	38	39	40						
Decoder	1	•	•	•	•	•	•	•	•	•	•	•	•	•	•	•	•	•	•	•	•	•	•	•	•	•	•	•	•	•	•	•	•	•	•	•	•	•	•	•	•	•					
	2		•	•			•	•			•	•			•	•			•	•			•	•			•	•			•	•			•	•			•	•			•	•			
	3			•	•						•	•																																			
	4																																														
	5																																														
	6																																														

P.C. MOUNTING



Specifications:

- Contact rating: 100mA, 15V DC
- Contact resistance: 50mOhm max.
- Insulation resistance: 100MOhm min. at 500V DC
- Dielectric strength: 250V, 50Hz for the duration of 1 minute
- Operating temperature: -20°C to +80°C
- Mechanical life: min. 10 000 cycles
- Soldering conditions: auto-soldering: max.: 230 +/-5°C, 3sec.
- Switching angle: 9°
- Mounting: on pc-board
- Material: Case: PBT with glass fibre 30%; shaft: aluminium
Contacts: combination of silver and gold plated



Tolerances: under to 10: ±0.3mm over 10 to 100: ±0.5mm	Date	Name
	10/08	dr
Modifications	Date	Name

DRS 20-140-R20-1

knitter-switch

30 16 08

Page

1/1