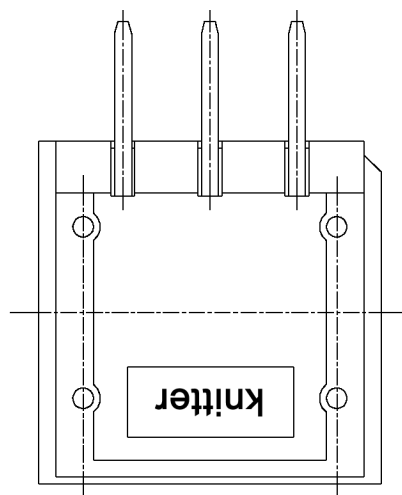
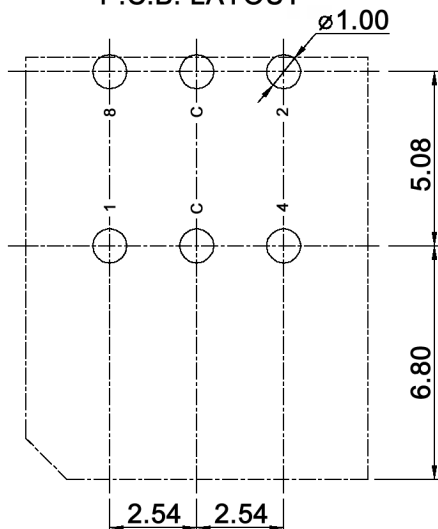


P.C.B. LAYOUT



Hexadecimal inverse

		Complement coded				
		C	1	2	4	8
16 Positions	0	●	●	●	●	●
	1	●		●	●	●
	2	●	●		●	●
	3	●			●	●
	4	●	●	●		●
	5	●		●		●
	6	●	●			●
	7	●				●
	8	●	●	●	●	
	9	●		●	●	
	A	●	●		●	
	B	●			●	
	C	●	●	●		
	D	●		●		
	E	●	●			
	F	●				



Tolerances:	Date	Name
	04/08	dr
Soldering conditions	01/11	dr
IP rating	06/09	dr
Operating temperature	11/08	dr
Modifications	Date	Name

DRR 61116

knitter-switch

30 14 42

Page

1/2

Specifications:

Contact rating: switching: 15mA, 24V DC
 non-switching: 100mA, 50V DC
Contact resistance: 80mOhm max.
Insulation resistance: 100MOhm min. at 250V DC for 1 minute +/-5sec.
Dielectric strength: 250V AC (50/60Hz) for 1 minute
Operating temperature: -40°C to +85°C
Storage temperature: -40°C to +85°C
Mechanical life: 10 000 cycles
Operating force: 700gf max.
Soldering conditions: pre-heat: max. 120°C, max. 70sec.
 wave soldering: max. 260°C, max. 10sec.
Material: Cover: PA66, black
 Base: PA66
 Actuator: POM
 Contact / terminal: phosphor bronze, min. 0.07µ gold plated over
 min. 0.1µ nickel plated
 O-ring: silicone
 PCB: epoxy seal, min. 0.05µ gold plated
IP rating: IP67



Tolerances:			Date	Name	DRR 61116	30 14 42	knitter-switch	Page		
			04/08	dr				2/2		
Modifications	Date	Name								