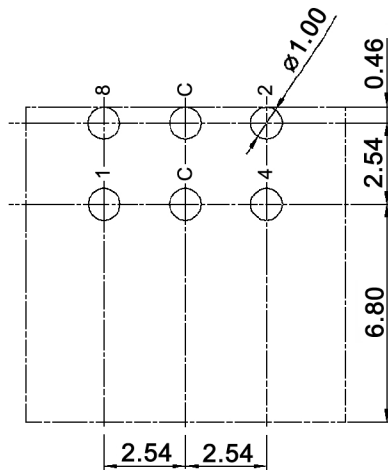


P.C.B. LAYOUT



Hexadecimal inverse

		Complement coded				
		C	1	2	4	8
16 P o s i t i o n s	0	●	●	●	●	●
	1	●		●	●	●
	2	●	●		●	●
	3	●			●	●
	4	●	●	●		●
	5	●		●		●
	6	●	●			●
	7	●				●
	8	●	●	●	●	
	9	●		●	●	
	A	●	●		●	
	B	●			●	
	C	●	●	●		
	D	●		●		
	E	●	●			
	F	●				



Tolerances:			Date	Name
			04/08	dr
Revised	03/12	dr		
Soldering conditions	01/11	dr		
IP rating	06/09	dr		
Operating temperature	11/08	dr		
Modifications	Date	Name		

DRR 61116-1

**knitter-switch**

**30 14 43**

Page

1/2

Specifications:

Contact rating: non-switching: 400mA, 24V  
 switching: 150mA, 24V  
 Contact resistance: 80mOhm max.  
 Insulation resistance: 100Mohm min. at 250V DC for 1 minute +/-5sec.  
 Dielectric strength: 250V AC (50/60Hz) for 1 minute  
 Operating temperature: -40°C to +85°C  
 Storage temperature: -40°C to +85°C  
 Electrical life: 10 000 steps  
 Operating force: 700gf/cm max.  
 Soldering conditions: pre-heat: max. 120°C, max. 70sec.  
 wave-soldering: max. 260°C, max. 10sec.  
 IP rating: IP67  
 Material: Cover / base: PA66  
 Actuator: POM, ivory  
 Contact / terminal: phosphor bronze, min. 0.07µm gold plated  
 over min. 0.1µm nickel  
 PCB: epoxy seal, min. 0.05µm gold plated  
 O-ring: silicone



Tolerances:			Date	Name	<b>DRR 61116-1</b>	<b>30 14 43</b>	Page
			04/08	dr			
			<b>knitter-switch</b>	2/2			
Modifications	Date	Name					