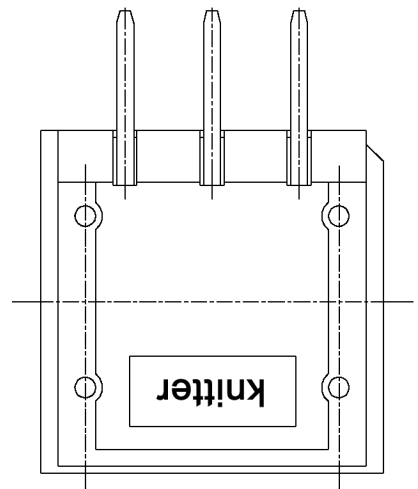
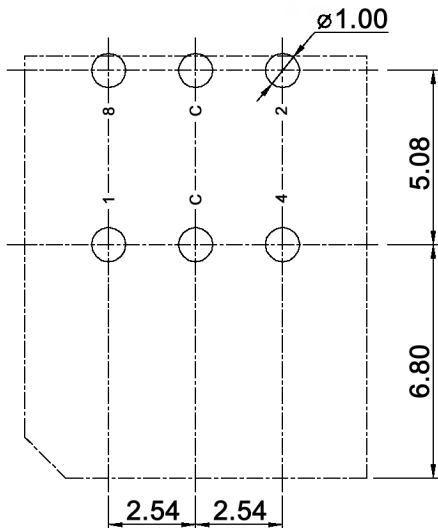


P.C.B. LAYOUT



BCD inverse

		Complement coded				
		C	1	2	4	8
10 P o s i t i o n s	0	●	●	●	●	●
	1	●		●	●	●
	2	●	●		●	●
	3	●			●	●
	4	●	●	●		●
	5	●		●		●
	6	●	●			●
	7	●				●
	8	●	●	●	●	
	9	●		●	●	



Tolerances:	Date	Name
	04/08	dr
Soldering conditions	01/11	dr
IP rating	06/09	dr
Operating temperature	11/08	dr
Modifications	Date	Name

**DRR 61110**

**knitter-switch**

**30 14 37**

Page

1/2

**Specifications:**

**Contact rating:** switching: 15mA, 24V DC  
 non-switching: 100mA, 50V DC  
**Contact resistance:** 80mOhm max.  
**Insulation resistance:** 100MOhm min. at 250V DC for 1 minute +/-5sec.  
**Dielectric strength:** 250V AC (50/60Hz) for 1 minute  
**Operating temperature:** -40°C to +85°C  
**Storage temperature:** -40°C to +85°C  
**Mechanical life:** 10 000 cycles  
**Operating force:** 700gf max.  
**Soldering conditions:** pre-heat: max. 120°C, max. 70sec.  
 wave soldering: max. 260°C, max. 10sec.  
**Material:** Cover: PA66, black  
 Base: PA66  
 Actuator: POM  
 Contact / terminal: phosphor bronze, min. 0.07µ gold plated over  
 min. 0.1µ nickel plated  
 O-ring: silicone  
 PCB: epoxy seal, min. 0.05µ gold plated  
**IP rating:** IP67



Tolerances:			Date	Name	<b>DRR 61110</b>	<b>30 14 37</b>	Page
			04/08	dr			
			<b>knitter-switch</b>	2/2			
Modifications	Date	Name					