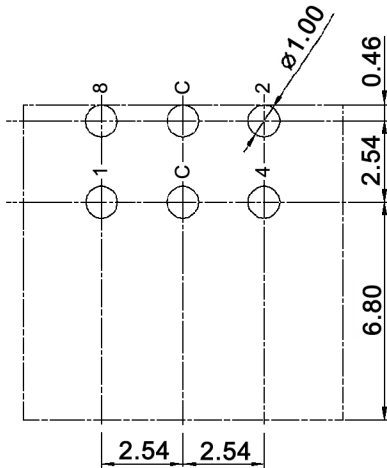


P.C.B. LAYOUT



BCD inverse

		Complement coded				
		C	1	2	4	8
10 P o s i t i o n s	0	●	●	●	●	●
	1	●			●	●
	2	●	●			●
	3	●			●	●
	4	●	●	●		●
	5	●		●		●
	6	●	●			●
	7	●				●
	8	●	●	●	●	
	9	●		●	●	



Tolerances:	Date	Name	
	04/08	dr	
Revised	03/12	dr	
Soldering conditions	01/11	dr	
IP rating	06/09	dr	
Operating temperature	11/08	dr	
Modifications	Date	Name	

DRR 61110-1

knitter-switch

30 14 39

Page

1/2

Specifications:

Contact rating: non-switching: 400mA, 24V
 switching: 150mA, 24V
 Contact resistance: 80mOhm max.
 Insulation resistance: 100Mohm min. at 250V DC for 1 minute +/-5sec.
 Dielectric strength: 250V AC (50/60Hz) for 1 minute
 Operating temperature: -40°C to +85°C
 Storage temperature: -40°C to +85°C
 Electrical life: 10 000 steps
 Operating force: 700gf/cm max.
 Soldering conditions: pre-heat: max. 120°C, max. 70sec.
 wave-soldering: max. 260°C, max. 10sec.
 IP rating: IP67
 Material: Cover / base: PA66
 Actuator: POM, ivory
 Contact / terminal: phosphor bronze, min. 0.07µm gold plated
 over min. 0.1µm nickel
 PCB: epoxy seal, min. 0.05µm gold plated
 O-ring: silicone



Tolerances:			Date	Name	DRR 61110-1		
			04/08	dr			
			knitter-switch		30 14 39	Page	
						2/2	
Modifications	Date	Name					