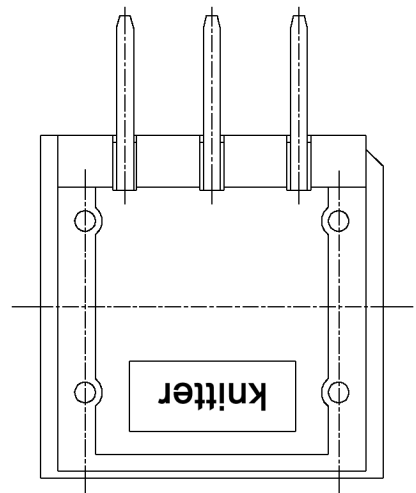
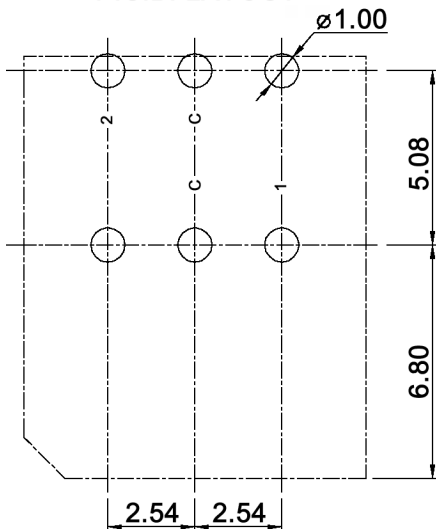


P.C.B. LAYOUT



Inverse

	Complement coded			
		C	1	2
4 p o s s i b l e	0	●	●	●
	1	●		●
	2	●	●	
	3	●		



Tolerances:	Date	Name
	04/08	dr
Soldering conditions	01/11	dr
IP rating	06/09	dr
Operating temperature	11/08	dr
Modifications	Date	Name

DRR 61104

knitter-switch

30 14 33

Page

1/2

Specifications:

Contact rating: switching: 15mA, 24V DC
 non-switching: 100mA, 50V DC
Contact resistance: 80mOhm max.
Insulation resistance: 100MOhm min. at 250V DC for 1 minute +/-5sec.
Dielectric strength: 250V AC (50/60Hz) for 1 minute
Operating temperature: -40°C to +85°C
Storage temperature: -40°C to +85°C
Mechanical life: 10 000 cycles
Operating force: 700gf max.
Soldering conditions: pre-heat: max. 120°C, max. 70sec.
 wave soldering: max. 260°C, max. 10sec.
Material: Cover: PA66, black
 Base: PA66
 Actuator: POM
 Contact / terminal: phosphor bronze, min. 0.07µ gold plated over
 min. 0.1µ nickel plated
 O-ring: silicone
 PCB: epoxy seal, min. 0.05µ gold plated
IP rating: IP67



Tolerances:			Date	Name	DRR 61104	30 14 33	Page
			04/08	dr			
			knitter-switch				2/2
Modifications	Date	Name					