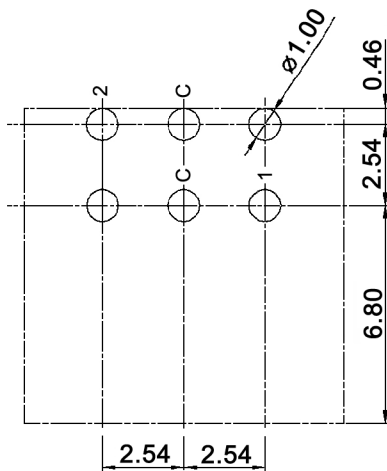


P.C.B. LAYOUT



Inverse

		Complement coded		
		C	1	2
4 P o s i t i o n s	0	●	●	●
	1	●		●
	2	●	●	
	3	●		



Tolerances:			Date	Name
			04/08	dr
Revised	03/12	dr		
Soldering conditions	01/11	dr		
IP rating	06/09	dr		
Operating temperature	11/08	dr		
Modifications	Date	Name		

DRR 61104-1

knitter-switch

30 14 35

Page

1/2

Specifications:

Contact rating: non-switching: 400mA, 24V
 switching: 150mA, 24V
Contact resistance: 80mOhm max.
Insulation resistance: 100Mohm min. at 250V DC for 1 minute +/-5sec.
Dielectric strength: 250V AC (50/60Hz) for 1 minute
Operating temperature: -40°C to +85°C
Storage temperature: -40°C to +85°C
Electrical life: 10 000 steps
Operating force: 700gf/cm max.
Soldering conditions: pre-heat: max. 120°C, max. 70sec.
 wave-soldering: max. 260°C, max. 10sec.
IP rating: IP67
Material: Cover / base: PA66
 Actuator: POM, ivory
 Contact / terminal: phosphor bronze, min. 0.07µm gold plated
 over min. 0.1µm nickel
 PCB: epoxy seal, min. 0.05µm gold plated
 O-ring: silicone



Tolerances:			Date	Name	DRR 61104-1		
			04/08	dr			
			knitter-switch		30 14 35	Page	
						2/2	
Modifications	Date	Name					