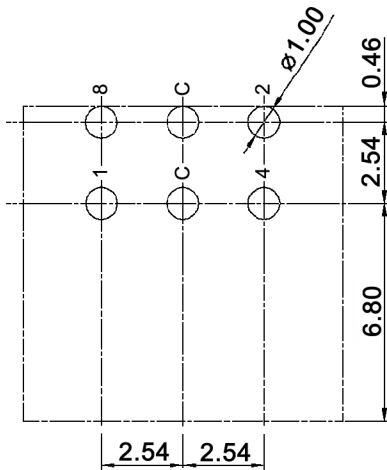


P.C.B. LAYOUT



BCD

		Real coded				
		C	1	2	4	8
10 Positions	0	●				
	1	●	●			
	2	●		●		
	3	●	●	●		
	4	●			●	
	5	●	●		●	
	6	●		●	●	
	7	●	●	●	●	
	8	●				●
	9	●	●			●



Tolerances:	Date	Name
	04/08	dr
Revised	03/12	dr
Soldering conditions	01/11	dr
IP rating	06/09	dr
Operating temperature	11/08	dr
Modifications	Date	Name

DRR 61010-1

**knitter-switch**

**30 14 38**

Page

1/2

**Specifications:**

**Contact rating:** non-switching: 400mA, 24V  
 switching: 150mA, 24V  
**Contact resistance:** 80mOhm max.  
**Insulation resistance:** 100Mohm min. at 250V DC for 1 minute +/-5sec.  
**Dielectric strength:** 250V AC (50/60Hz) for 1 minute  
**Operating temperature:** -40°C to +85°C  
**Storage temperature:** -40°C to +85°C  
**Electrical life:** 10 000 steps  
**Operating force:** 700gf/cm max.  
**Soldering conditions:** pre-heat: max. 120°C, max. 70sec.  
 wave-soldering: max. 260°C, max. 10sec.  
**IP rating:** IP67  
**Material:** Cover / base: PA66  
 Actuator: POM, grey  
 Contact / terminal: phosphor bronze, min. 0.07µm gold plated  
 over min. 0.1µm nickel  
 PCB: epoxy seal, min. 0.05µm gold plated  
 O-ring: silicone



Tolerances:			Date	Name	<b>DRR 61010-1</b>	
			04/08	dr		
			<b>knitter-switch</b>		<b>30 14 38</b>	Page
						2/2
Modifications	Date	Name				