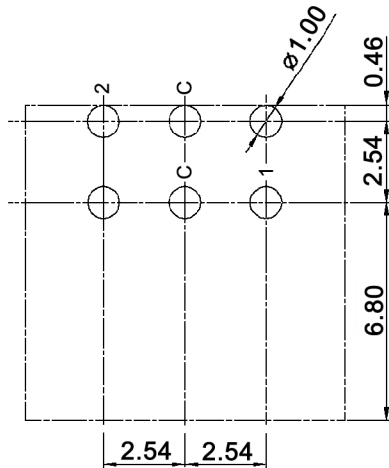


P.C.B. LAYOUT



		Real coded		
		C	1	2
4 P o s i t i o n s	0	●		
	1	●	●	
	2	●		●
	3	●	●	●



Tolerances:			Date	Name
			04/08	dr
Revised	03/12	dr		
Soldering conditions	01/11	dr		
IP rating	06/09	dr		
Operating temperature	11/08	dr		
Modifications	Date	Name		

DRR 61004-1

knitter-switch

30 14 34

Page

1/2

