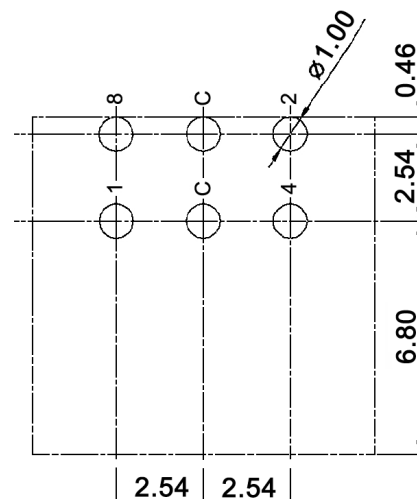


BCD inverse

	Complement coded				
	C	1	2	4	8
0	•	•	•	•	•
1	•		•	•	•
2		•		•	•
3	•			•	•
4	•	•	•		•
5	•		•		•
6	•	•			•
7	•				•
8	•	•	•	•	
9	•		•	•	

10 positions

P.C.B. LAYOUT



Specifications:

- Contact rating:** non-switching: 400mA, 24V
switching: 150mA, 24V
- Contact resistance:** 80mOhm max.
- Insulation resistance:** 100Mohm min. at 250V DC for 1 minute +/-5sec.
- Dielectric strength:** 250V AC (50/60Hz) for 1 minute
- Operating temperature:** -40°C to +85°C
- Storage temperature:** -40°C to +85°C
- Electrical life:** 10 000 steps
- Operating force:** 700gf/cm max.
- Soldering conditions:** pre-heat: max. 120°C, max. 70sec.
wave-soldering: max. 260°C, max. 10sec.
- IP rating:** IP67
- Material:** Cover / base: PA66
Actuator: POM, ivory
Contact / terminal: phosphor bronze, min. 0.07µm gold plated
over min. 0.1µm nickel
PCB: epoxy seal, min. 0.05µm gold plated
O-ring: silicone



Tolerances: ≤ 10mm:		Date	Name
≥ 10mm:		08/07	dr
Revised	03/12	dr	
Soldering conditions	01/11	dr	
IP rating	06/09	dr	
Operating temperature	11/08	dr	
Temperatures	01/08	dr	
Modifications	Date	Name	

DRR 60110-1

30 11 97

Page

1/1

knitter-switch