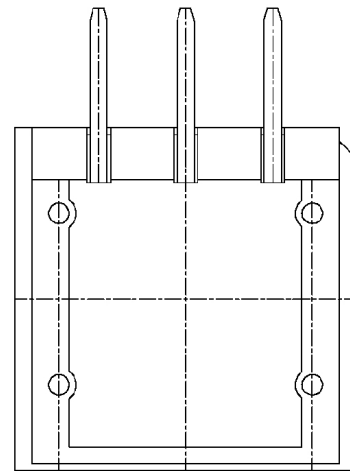
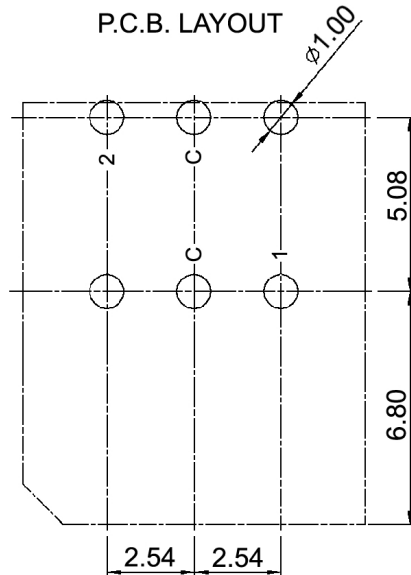


P.C.B. LAYOUT



Specifications:

Contact rating: switching: 15mA, 24V DC  
non-switching: 100mA, 50V DC

Contact resistance: 80mOhm max.

Insulation resistance: 100MOhm min.

Mechanical life: 10 000 cycles

Operating force: 700gf max.

Operating temperature: -40°C to +85°C

Storage temperature: -40°C to +85°C

Soldering conditions: pre-heat: max. 120°C, max. 70sec.  
wave soldering: max. 260°C, max. 10sec.

Color of actuator: ivory

IP rating: IP67

		Complement coded		
		C	1	2
4 P o s i t i o n s	0	●	●	●
	1	●		●
	2	●	●	
	3	●		



Tolerances: ≤ 10mm:	Date	Name
≥ 10mm:	08/07	dr
Soldering conditions	01/11	dr
IP rating	06/09	dr
Operating temperature	11/08	dr
Temperatures	01/08	dr
Modifications	Date	Name

DRR 60104

**knitter-switch**

30 11 94

Page

1/1