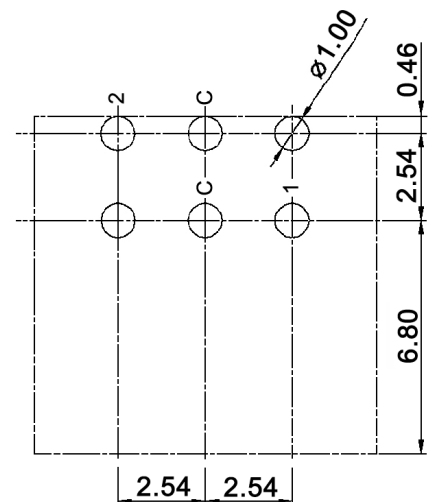


		Complement coded		
		C	1	2
4 P o s s i b l e s	0	●	●	●
	1	●		●
	2	●	●	
	3	●		

P.C.B. LAYOUT



Specifications:

- Contact rating:** non-switching: 400mA, 24V
switching: 150mA, 24V
Contact resistance: 80mOhm max.
Insulation resistance: 100Mohm min. at 250V DC for 1 minute +/-5sec.
Dielectric strength: 250V AC (50/60Hz) for 1 minute
Operating temperature: -40°C to +85°C
Storage temperature: -40°C to +85°C
Electrical life: 10 000 steps
Operating force: 700gf/cm max.
Soldering conditions: pre-heat: max. 120°C, max. 70sec.
wave-soldering: max. 260°C, max. 10sec.
IP rating: IP67
Material: Cover / base: PA66
Actuator: POM, ivory
Contact / terminal: phosphor bronze, min. 0.07µm gold plated
over min. 0.1µm nickel
PCB: epoxy seal, min. 0.05µm gold plated
O-ring: silicone



Tolerances: ≤ 10mm: ≥ 10mm:	Date	Name
		08/07
Revised	03/12	dr
Soldering conditions	01/11	dr
IP rating	06/09	dr
Operating temperature	11/08	dr
Temperatures	01/08	dr
Modifications	Date	Name

DRR 60104-1

knitter-switch

30 11 95

Page

1/1