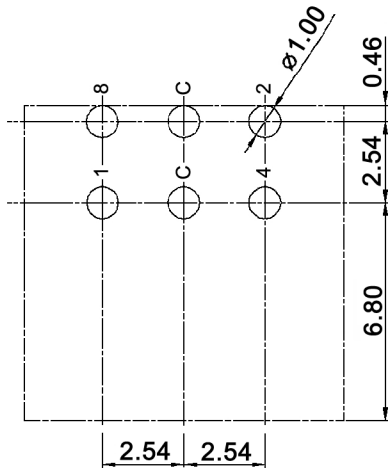


P.C.B. LAYOUT



Hexadecimal

		Real coded				
		C	1	2	4	8
16 p o s i t i o n s	0	●				
	1	●	●			
	2	●		●		
	3	●	●	●		
	4	●			●	
	5	●	●		●	
	6	●		●	●	
	7	●	●	●	●	
	8	●				●
	9	●	●			●
	A	●		●		●
	B	●	●	●		●
	C	●			●	●
	D	●	●		●	●
	E	●		●	●	●
	F	●	●	●	●	●



Tolerances:	Date	Name
	10/10	dr
Revised	03/12	dr
Modifications	Date	Name

DRR 60016-1H

30 22 08

Page

1/2

knitter-switch

Specifications:

Contact rating: non-switching: 400mA, 24V DC
switching: 150mA, 24V DC

Contact resistance: 80mOhm max.

Insulation resistance: 100MOhm min. at 250V DC for 1 minute +/-5sec.

Dielectric strength: 250V AC (50/60Hz) for 1 minute

Operating temperature: -60°C to +125°C

Storage temperature: -60°C to +125°C

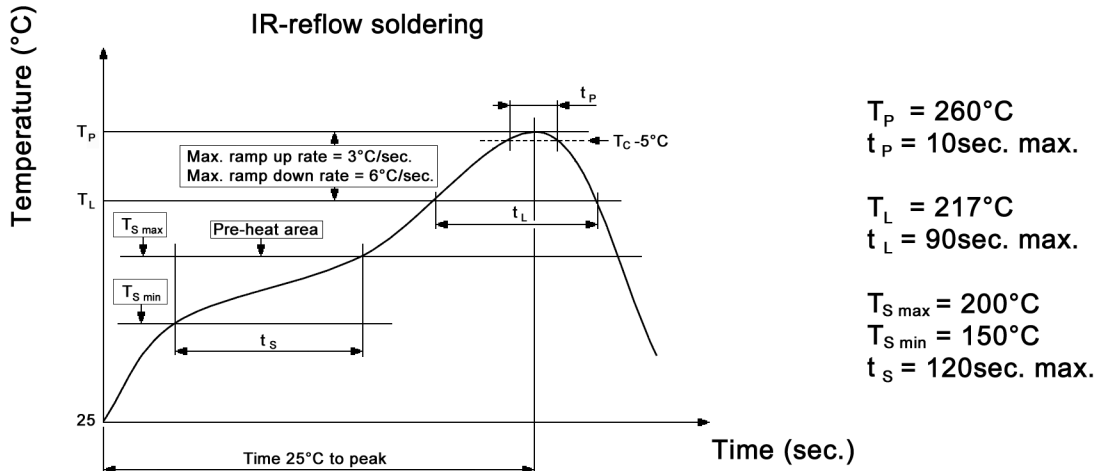
Electrical life: 10 000 cycles

Operating force: 700gf/cm. max.

Material: Cover: LCP
Base: LCP
Actuator: PA66, light grey
Contact / terminal: phosphor bronze, min. 0.07µm gold plated over
min. 0.1µm nickel
PCB: epoxy seal, min. 0.05µm gold plated
O-ring: silicone

IP rating: IP67

Soldering conditions:



Tolerances:			Date	Name	<h1>DRR 60016-1H</h1>
			10/10	dr	
			knitter-switch		<h2>30 22 08</h2>
					Page
					2/2
Modifications	Date	Name			