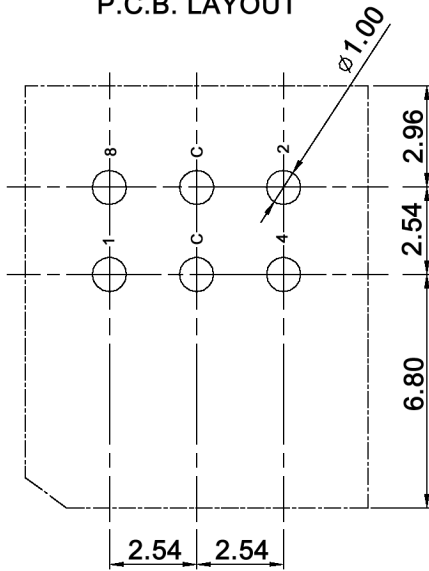


P.C.B. LAYOUT



BCD

		Real coded				
		C	1	2	4	8
10 P o s i t i o n s	0	●				
	1	●	●			
	2	●		●		
	3	●	●	●		
	4	●			●	
	5	●	●		●	
	6	●		●	●	
	7	●	●	●	●	
	8	●				●
	9	●	●			●



Tolerances:	Date	Name
	07/09	dr
Modifications	Date	Name

**DRR 60010-1 H**

**knitter-switch**

**30 18 87**

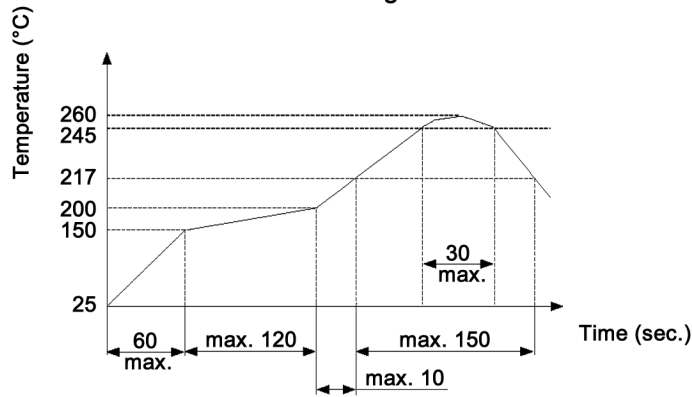
Page

1/2

**Specifications:**

**Contact rating:** non-switching: 400mA, 24V DC  
 switching: 150mA, 24V DC  
**Contact resistance:** 80mOhm max.  
**Insulation resistance:** 100MOhm min. at 250V DC for 1 minute +/-5sec.  
**Dielectric strength:** 250V AC (50/60Hz) for 1 minute  
**Operating temperature:** -60°C to +125°C  
**Storage temperature:** -60°C to +125°C  
**Mechanical life:** 10 000 cycles  
**Operating force:** 700gf/cm. max.  
**Soldering conditions:** auto-soldering: 260 +/-5°C, 5 +/-1sec.

**Reflow soldering**



**Material:** Cover: LCP, black  
 Base: LCP  
 Actuator: PA66  
 Detent spring: STS  
 Contact / terminal: phosphor bronze, min. 0.07µm gold plated over  
 min. 0.1µm nickel  
 PCB: epoxy seal, min. 0.05µm gold plated  
 O-ring: silicone  
**IP rating:** IP67



Tolerances:			Date	Name	<b>DRR 60010-1 H</b>
			07/09	dr	
			<b>knitter-switch</b>		<b>30 18 87</b>
Modifications			Date	Name	Page 2/2