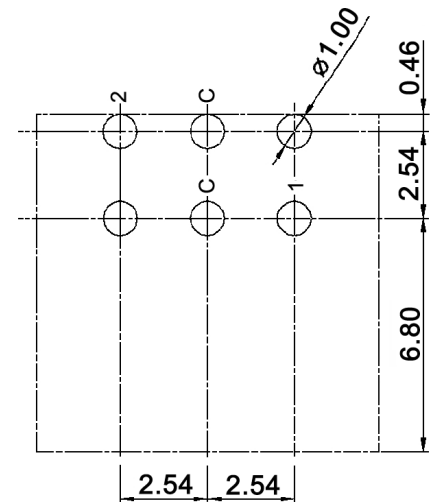


		Real coded		
		C	1	2
4 positions	0	●		
	1	●	●	
	2	●		●
	3	●	●	●

P.C.B. LAYOUT



Specifications:

- Contact rating: non-switching: 400mA, 24V
switching: 150mA, 24V
- Contact resistance: 80mOhm max.
- Insulation resistance: 100Mohm min. at 250V DC for 1 minute +/-5sec.
- Dielectric strength: 250V AC (50/60Hz) for 1 minute
- Operating temperature: -40°C to +85°C
- Storage temperature: -40°C to +85°C
- Electrical life: 10 000 steps
- Operating force: 700gf/cm max.
- Soldering conditions: pre-heat: max. 120°C, max. 70sec.
wave-soldering: max. 260°C, max. 10sec.
- IP rating: IP67
- Material: Cover / base: PA66
Actuator: POM, grey
Contact / terminal: phosphor bronze, min. 0.07µm gold plated
over min. 0.1µm nickel
PCB: epoxy seal, min. 0.05µm gold plated
O-ring: silicone



Tolerances:			Date	Name
			08/07	dr
Revised	03/12	dr		
Soldering conditions	01/11	dr		
IP rating	06/09	dr		
Operating temperature	11/08	dr		
Temperatures	01/08	dr		
Modifications	Date	Name		

DRR 60004-1

knitter-switch

30 11 89

Page

1/1