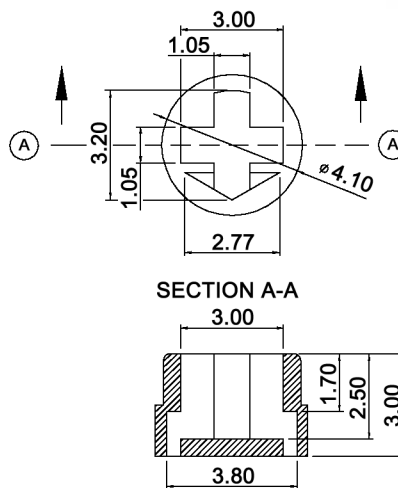
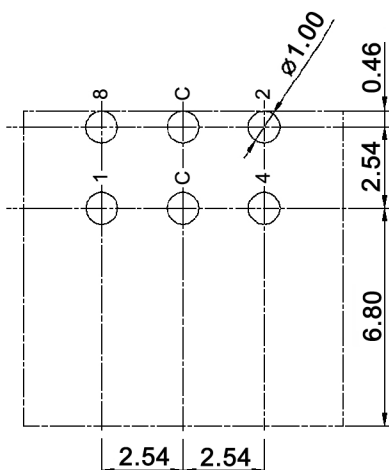


P.C.B. LAYOUT



	Real coded		
	C	1	2
0	●		
1	●	●	
2	●		●
3	●	●	●

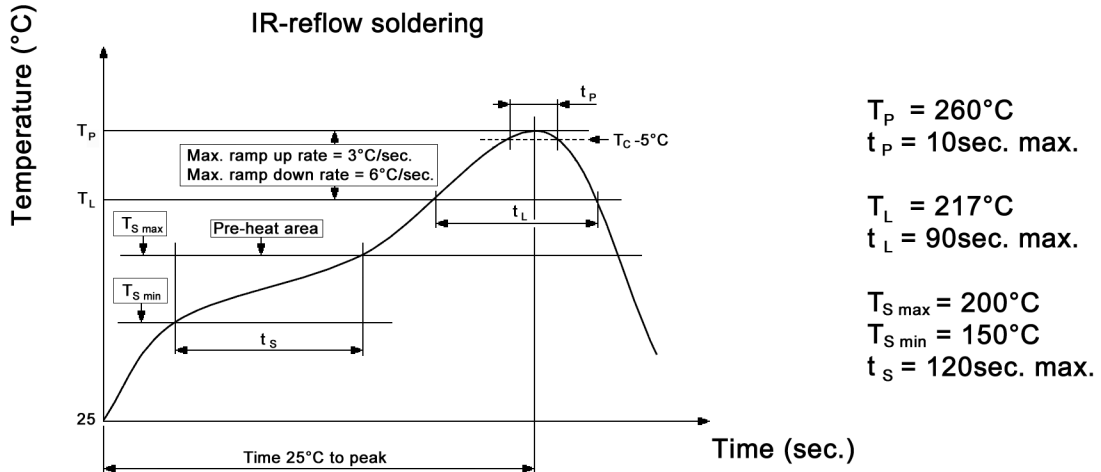


Tolerances:	Date	Name	<b>DRR 60004-1 CH</b>
	10/08	dr	
Revised	03/12	dr	<b>30 16 10</b>
IP rating	06/09	dr	
Modifications	Date	Name	Page 1/2

**knitter-switch**

**Specifications:**

**Contact rating:** non-switching: 400mA, 24V DC  
 switching: 150mA, 24V DC  
**Contact resistance:** 80mOhm max.  
**Insulation resistance:** 100MOhm min. at 250V DC for 1 minute +/-5sec.  
**Dielectric strength:** 250V AC (50/60Hz) for 1 minute  
**Operating temperature:** -60°C to +125°C  
**Storage temperature:** -60°C to +125°C  
**Electrical life:** 10 000 cycles  
**Operating force:** 700gf/cm. max.  
**Material:** Cover: LCP  
 Base: LCP  
 Actuator: PA66, light grey  
 Contact / terminal: phosphor bronze, min. 0.07µm gold plated over  
 min. 0.1µm nickel  
 PCB: epoxy seal, min. 0.05µm gold plated  
 O-ring: silicone  
**IP rating:** IP67  
**Soldering conditions:**



Tolerances:			Date	Name	<b>DRR 60004-1 CH</b>
			10/08	dr	
			<b>knitter-switch</b>		<b>30 16 10</b>
					Page
					2/2
Modifications	Date	Name			