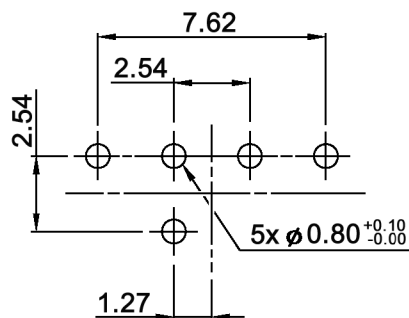


P.C.B. LAYOUT



TYPE	CIRCUIT CHARACTERISTIC																
	CODE	POSITION ● ON															
		0	1	2	3	4	5	6	7	8	9	A	B	C	D	E	F
DRR 4116	1	●		●		●		●		●		●		●		●	
	2	●	●			●	●			●	●			●	●		
	4	●	●	●	●					●	●	●	●				
	8	●	●	●	●	●	●	●	●								



Tolerances: ±0.20mm		Date	Name
		12/07	dr
Delivery position	11/11	dr	
Dimensions	02/09	dr	
Specifications	02/09	dr	
Dimensions	07/08	dr	
Operating temperature	04/08	dr	
Modifications	Date	Name	

DRR 4116

knitter-switch

30 13 19

Page

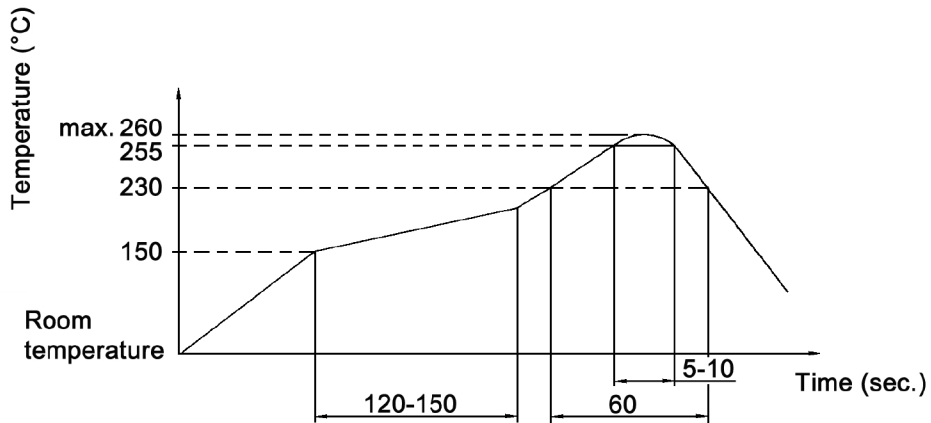
1/2

Specifications:

Contact rating: non-switching: 100mA, 50V DC
switching: 30mA, 15V DC
Contact resistance: 100mOhm max.
Insulation resistance: 1 000MOhm min. at 250V DC
Dielectric strength: 250V AC for 1 minute
Operating temperature: -40°C to +85°C
Mechanical life: 20 000 cycles min.
Operating force: 250 gf.cm max.
Material: Base / cover: high-temp. thermoplastic nylon UL94V-0,
molded black
Movable contact: alloy copper, gold plated
Actuator: high-temp. thermoplastic nylon UL94V-0,
color: red
O-ring: silicone
Spring: stainless steel
Terminal: brass, gold plated

RoHS compliant and free from DecaBDE

Soldering conditions: wave soldering: 260°C, 5sec. max.
through hole reflow: 260 +/-5°C, 4-6sec.



Tolerances: ±0.20mm			Date	Name	DRR 4116
			02/09	dr	
			knitter-switch		30 13 19
					Page
					2/2
Modifications	Date	Name			