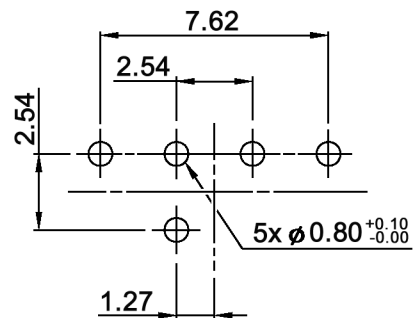


P.C.B. LAYOUT



TYPE	CIRCUIT CHARACTERISTIC																
	CODE	POSITION ● ON															
		0	1	2	3	4	5	6	7	8	9	A	B	C	D	E	F
DRR 3016	1	●		●		●		●		●		●		●		●	
	2	●	●			●	●			●	●			●	●		
	4	●	●	●	●					●	●	●					
	8	●	●	●	●	●	●	●									



Tolerances: ±0.20mm max.		Date	Name
		12/07	dr
Delivery position		11/11	dr
Specifications		02/09	dr
Dimensions		02/09	dr
Operating temperature		04/08	dr
Modifications		Date	Name

DRR 3116

knitter-switch

30 13 15

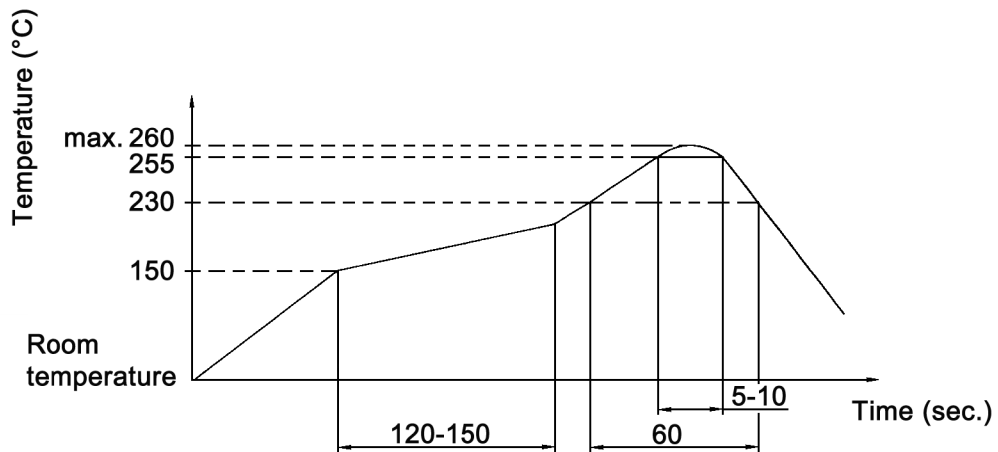
Page

1/2

Specifications:

Contact rating: non-switching: 100mA, 50V DC
 switching: 30mA, 15V DC
Contact resistance: 100mOhm max.
Insulation resistance: 1 000MOhm min. at 250V DC
Dielectric strength: 250V AC for 1 minute
Operating temperature: -40°C to +85°C
Mechanical life: 20 000 cycles min.
Operating force: 250 gf.cm max.
Material: Base / cover: high-temp. thermoplastic nylon UL94V-0,
 molded black
 Movable contact: alloy copper, gold plated
 Actuator: high-temp. thermoplastic nylon UL94V-0,
 color: red
 O-ring: silicone
 Spring: stainless steel
 Terminal: brass, gold plated

Soldering conditions: wave soldering: 260°C, 5sec. max.
 through hole reflow: 260 +/-5°C, 4-6sec.



Tolerances: ±0.20mm max.			Date	Name	DRR 3116
			02/09	dr	
			knitter-switch		30 13 15
Modifications			Date	Name	Page 2/2