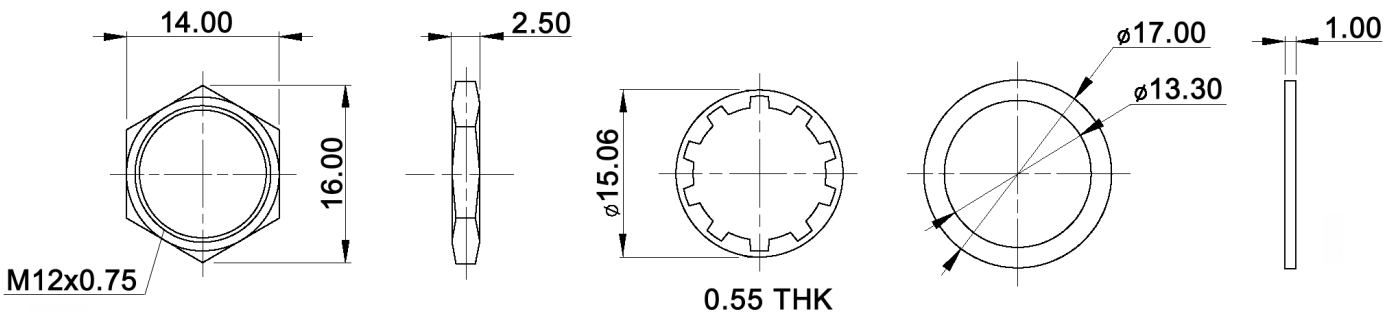


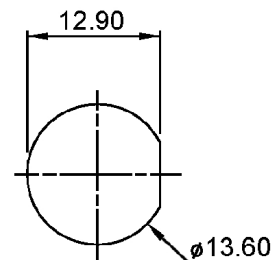
HARDWARE:



SWITCH FUNCTION

Model No.	POS. 1	POS. 2
DPW 1 CG	OFF	MOM
Term. Comm.	OPEN	SHORT

PANEL CUT-OUT



Tolerances: 0.00: ±0.25mm 0.0: ±0.40mm		Date	Name
		08/07	dr
Revised	11/10	dr	
Hardware	06/10	dr	
Actuator color black	06/08	dr	
Operating temperature	04/08	dr	
Water proofing	03/08	dr	
Modifications	Date	Name	

DPW 1 CG x

knitter-switch

30 12 18

Page

1/2

Specifications:

Contact rating: max.: 400mA, 32V AC; 100mA, 50V DC; 125mA, 125V AC
 Contact resistance: 50mOhm max.
 Insulation resistance: 1GOhm min. at 500V DC
 Dielectric strength: 1 000V AC
 Operating temperature: -30°C to +85°C
 Mechanical life: 1 000 000 cycles
 Electrical life: 500 000 cycles
 Operating force: 3N +/-1N
 Soldering conditions: 350°C max., 3sec.
 Travel: 1.5mm
 Panel thickness: 1.5mm min.; 4.0mm max.
 Torque: 0.5Nm max. applied to nut
 Water proofing: IP 67
 Material: Case: DAP UL94V-0
 Bushing / cap: polyamide 6/6
 Terminal / contact: gold over silver plated

X=CAP COLOR	
W	white
K	black
R	red
O	orange
Y	yellow
G	green
B	blue



Tolerances: 0.00: ±0.25mm 0.0: ±0.40mm			Date 08/07	Name dr	<h1>DPW 1 CG x</h1>
			knitter-switch		<h2>30 12 18</h2>
					Page 2/2
Modifications	Date	Name			