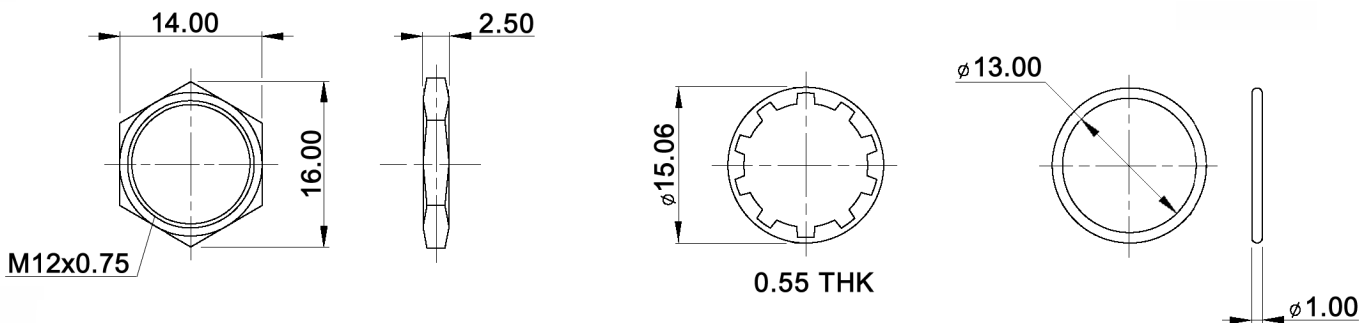


**HARDWARE:**



**Specifications:**

Contact rating: max.: 100mA, 24V DC  
 Contact resistance: 100mOhm max.  
 Insulation resistance: 1GOhm min. at 500V DC  
 Dielectric strength: 1 000V AC RMS  
 Electrical life: 200 000 cycles at full load  
 Operating force: 4.5 - 6.5N  
 Torque: 1.5Nm max. applied to nut  
 Soldering conditions: 350°C max., 5sec.  
 Panel thickness: min.: 1.5mm; max.: 4.0mm  
 Total travel: 2.5mm  
 Switching function: off - on  
 Contact bounce: 10ms  
 Material: Case / cap / bushing: polyamide 6/6  
 Terminal / contact: gold over silver plated  
 IP rating: IP 67

X=CAP COLOR	
W	white
K	black
R	red
O	orange
Y	yellow
G	green
B	blue



Tolerances: 0.00: ±0.25mm 0.0: ±0.40mm	Date	Name
	03/09	dr

**DPW 1 AG-x**

Dimensions	06/10	dr	<b>knitter-switch</b>	<b>30 17 62</b>	Page
Modifications	Date	Name			1/1