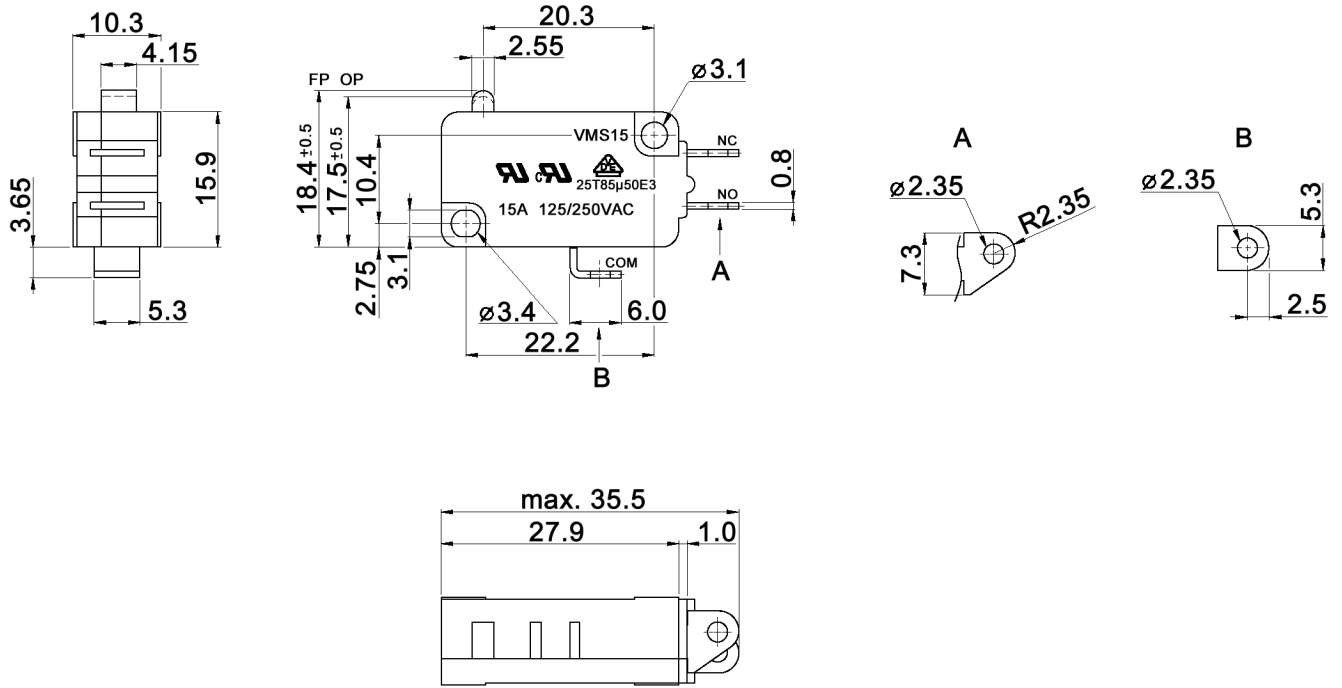
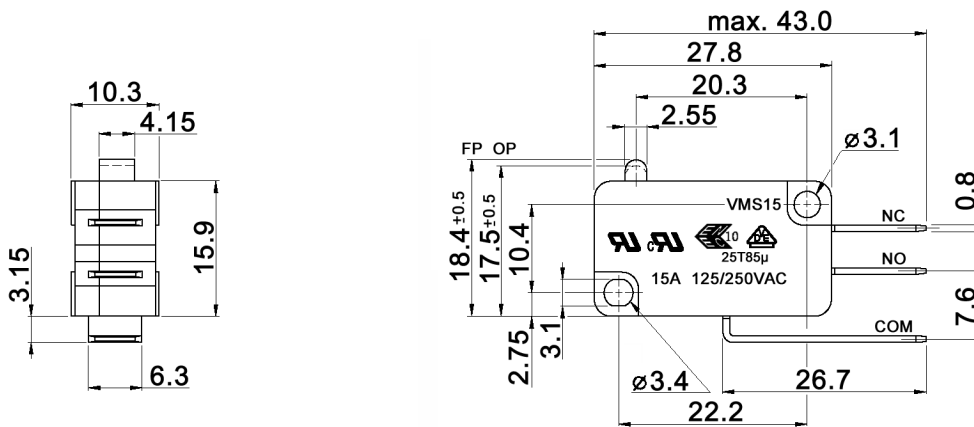


Terminal A



Terminal H



Tolerances: ±0.2mm	Date	Name
	08/10	dr
Modifications	Date	Name

DM-VMS Terminals

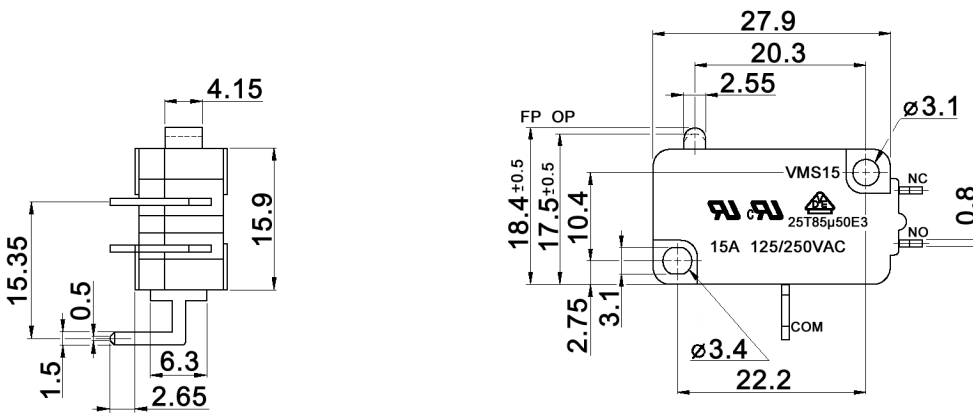
knitter-switch

30 21 54

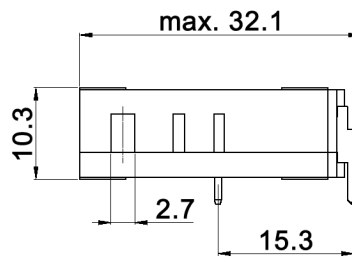
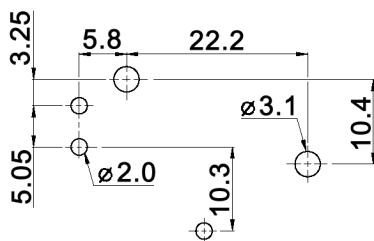
Page

1/4

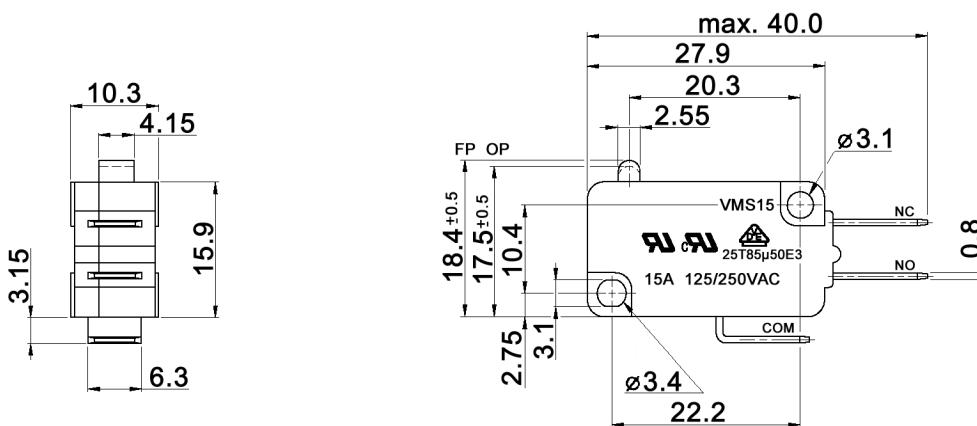
Terminal J



P.C. MOUNTING



Terminal K



Tolerances: ±0.2mm	Date	Name
	08/10	dr
Modifications	Date	Name

DM-VMS Terminals

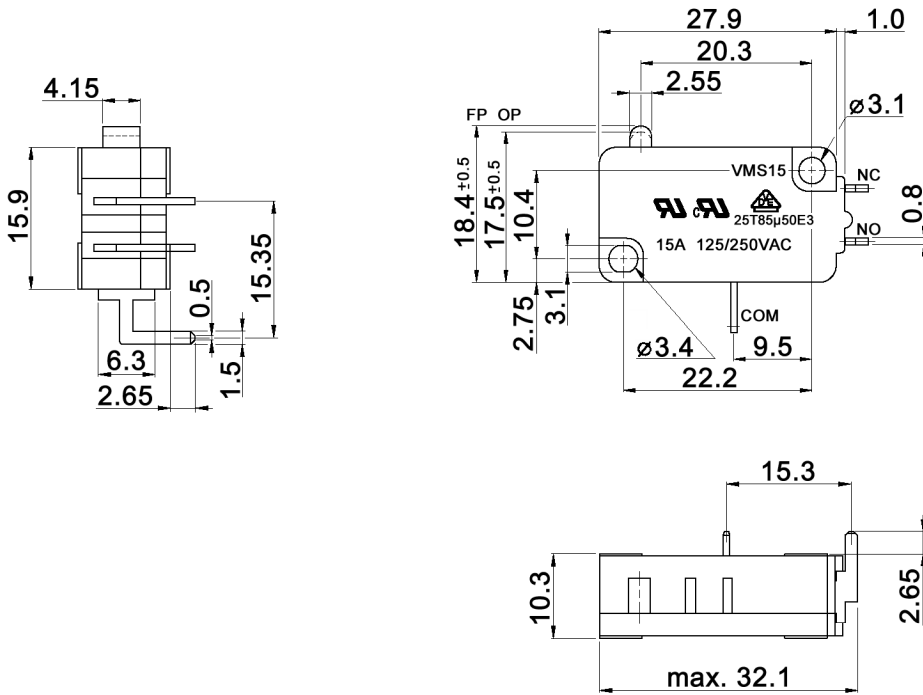
knitter-switch

30 21 54

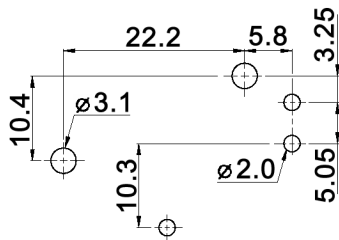
Page

2/4

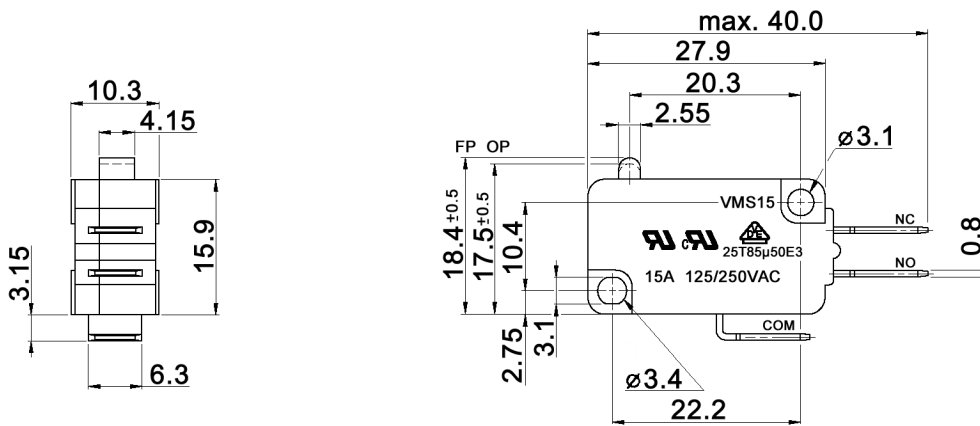
Terminal L



P.C. MOUNTING



Terminal M



Tolerances: ±0.2mm	Date	Name
	08/10	dr
Modifications	Date	Name

DM-VMS Terminals

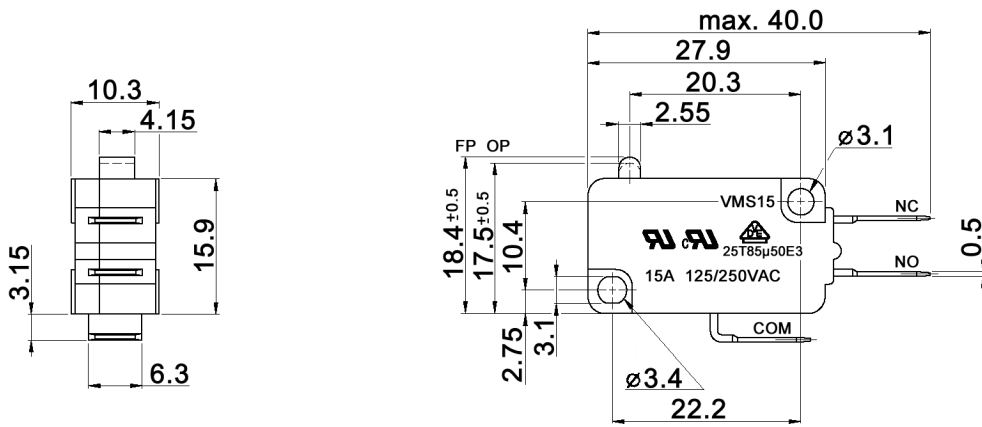
knitter-switch

30 21 54

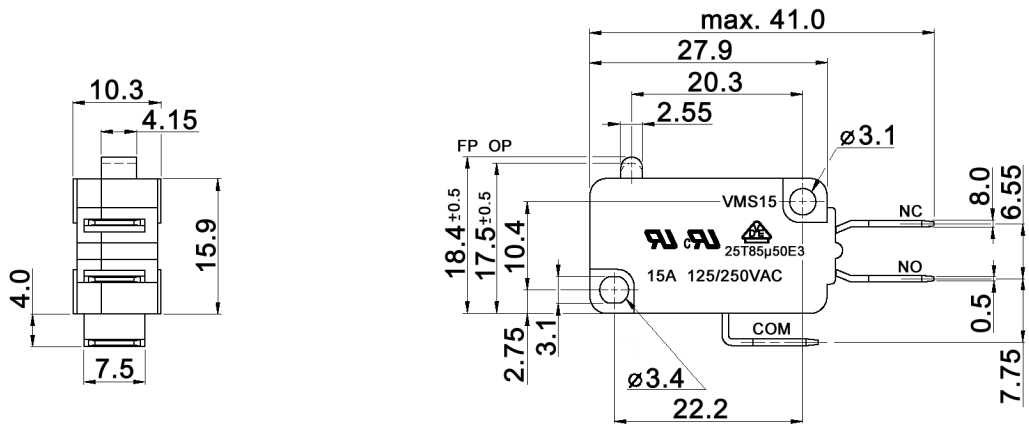
Page

3/4

Terminal N



Terminal W



Tolerances: ±0.2mm	Date	Name
	08/10	dr
Modifications	Date	Name

DM-VMS Terminals

knitter-switch

30 21 54

Page

4/4