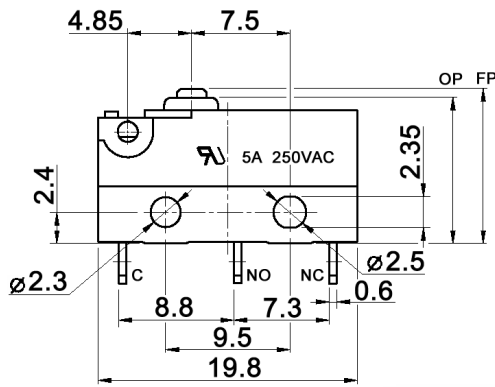
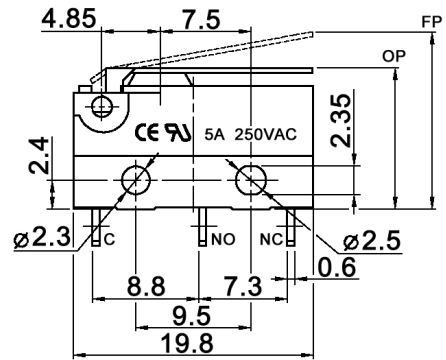


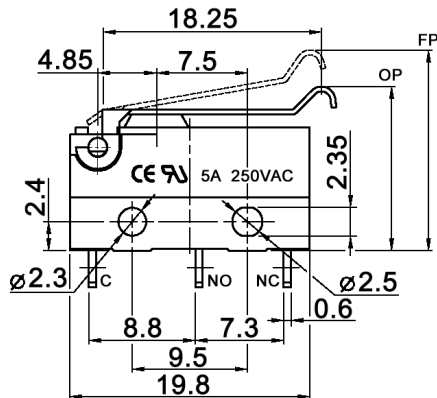
Actuator 00



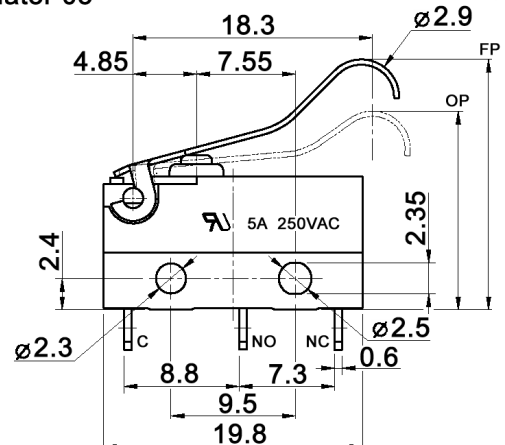
Actuator 01



Actuator 04



Actuator 05



Actuator	Operation force [gf]					Free position [mm]	Operation position [mm]
	115±40	130±40	150±40	175±40	250±50		
00	115±40	130±40	150±40	175±40	250±50	12.5±0.5	11.5±0.5
01	45±20	50±20	55±20	60±20	100±40	12.0±1.0	15.0±1.0
04	40±20	45±20	50±20	55±20	90±30	17.5±1.0	14.2±1.2
05	40±20	45±20	50±20	55±20	90±30	19.0±1.5	16.5±1.0



Tolerances: ±0.2mm			Date	Name
			08/10	dr
Modifications			Date	Name

DM-SW Actuator

knitter-switch

30 21 57

Page

1/1