

Part No.	A
DHS 901	2.31
DHS 902	3.58
DHS 902-1	3.58
DHS 903	4.85
DHS 904	6.12
DHS 906	8.66
DHS 908	11.20
DHS 910	13.74
DHS 912	16.28

**Specifications:**

**Contact rating:** switching: 25mA, 24V DC  
non-switching: 100mA, 50V DC

**Contact resistance:** 50mOhm max.

**Insulation resistance:** 100MOhm min. at 500V DC

**Dielectric strength:** 300V AC for 1 minute

**Operating temperature:** -40°C to +105°C

**Storage temperature:** -40°C to +105°C

**Operating force:** 500g max.

**Mechanical life:** 2 000 cycles

**Electrical life:** 1 000 cycles

**Material:** Cover / base: PPS (UL94V-0), black  
Actuator: PA46 (UL94V-0), white  
Contact / terminal: 0.075µm gold plated over nickel



Tolerances: ±0.2mm			Date	Name	<h1>DHS 900</h1>
			08/05	dr	
Revised	07/10	dr			
Temperatures	04/10	dr			
DHS 901, DHS 903	10/09	dr			<h2>30 06 71</h2>
DHS 902-1	10/08	dr			
Contact rating	10/08	dr	<b>knitter-switch</b>		Page
Temperature	11/05	dr			
Modifications	Date	Name			



**Vibration:**

per MIL-STD-202F method 204D,  
10-50Hz, 20G/0.06 inch double amplitude,  
no mechanical damage,  
no change of switch setting after the best performed for 90 minutes  
in each of perpendicular direction.

**Shock:**

per MIL-STD-202F, method 213B,  
1000G, 0.5 ms half-sine waveform  
with no mechanical damage,  
no change of switch setting after test performed 5 times  
in each X,Y,Z direction.

**Thermal shock:**

per MIL-STD-202F method 103B,  
for 5 cycles (1 cycle: -55°C, 25°C, 85°C, 25°C) condition A.

**Humidity:**

per MIL-STD-202F method 103B,  
in a dry oven at a temperature of 40°C  
and a humidity of 90% to 95% at 240 hours test time.

**Life (heat proof):**

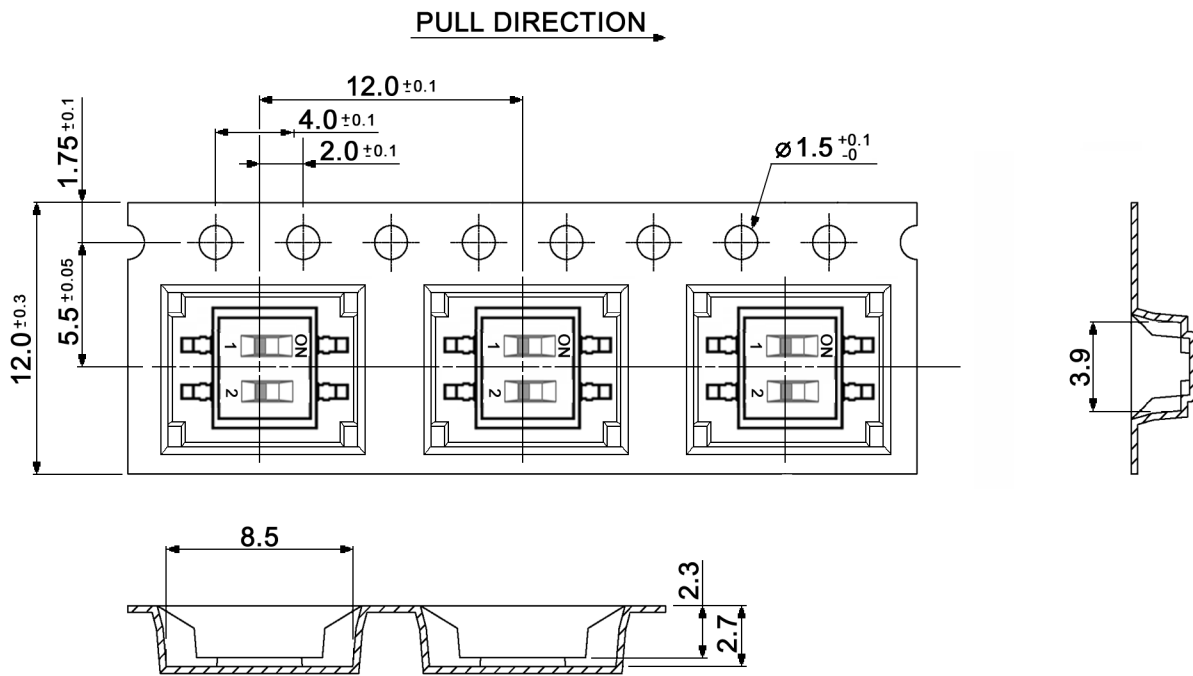
per MIL-STD-202F method 108A,  
condition A & condition B.



Tolerances:			Date	Name	<b>DHS 900</b>	<b>30 06 71</b>	Page 3/5
			08/05	dr			
			<b>knitter-switch</b>				
Modifications	Date	Name					

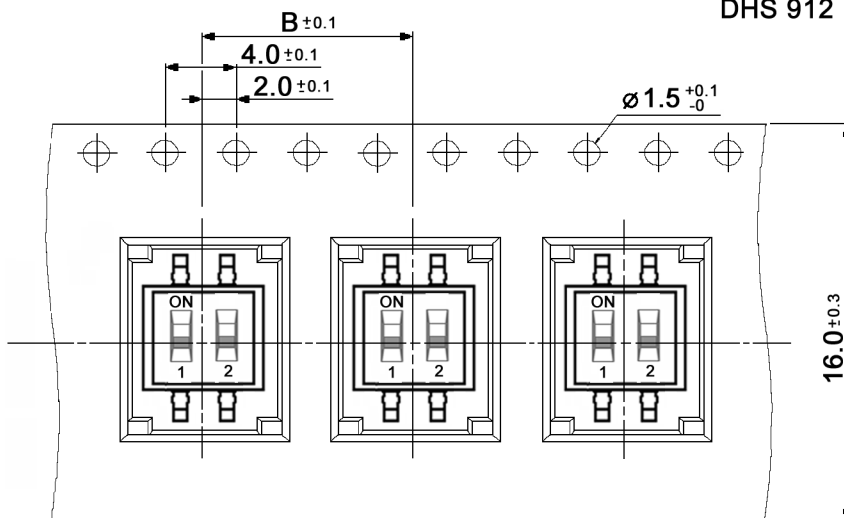
# Packaging:

DHS 902-1 (2 000 pcs / reel):



Part No.	Carrier Width	Pcs. per Reel	B <sub>0</sub>	B
DHS 901	16.0	3 000	4.0	8.0
DHS 902	16.0	3 000	4.0	8.0
DHS 903	16.0	3 000	4.0	8.0
DHS 904	16.0	2 000	6.5	12.0
DHS 906	16.0	2 000	9.1	12.0
DHS 908	24.0	2 000	11.5	12.0
DHS 910	24.0	2 000	14.1	12.0
DHS 912	24.0	2 000	16.6	12.0

DHS 901 / 902 / 903:



Tolerances:	Date	Name
	08/05	dr
Modifications	Date	Name

# DHS 900

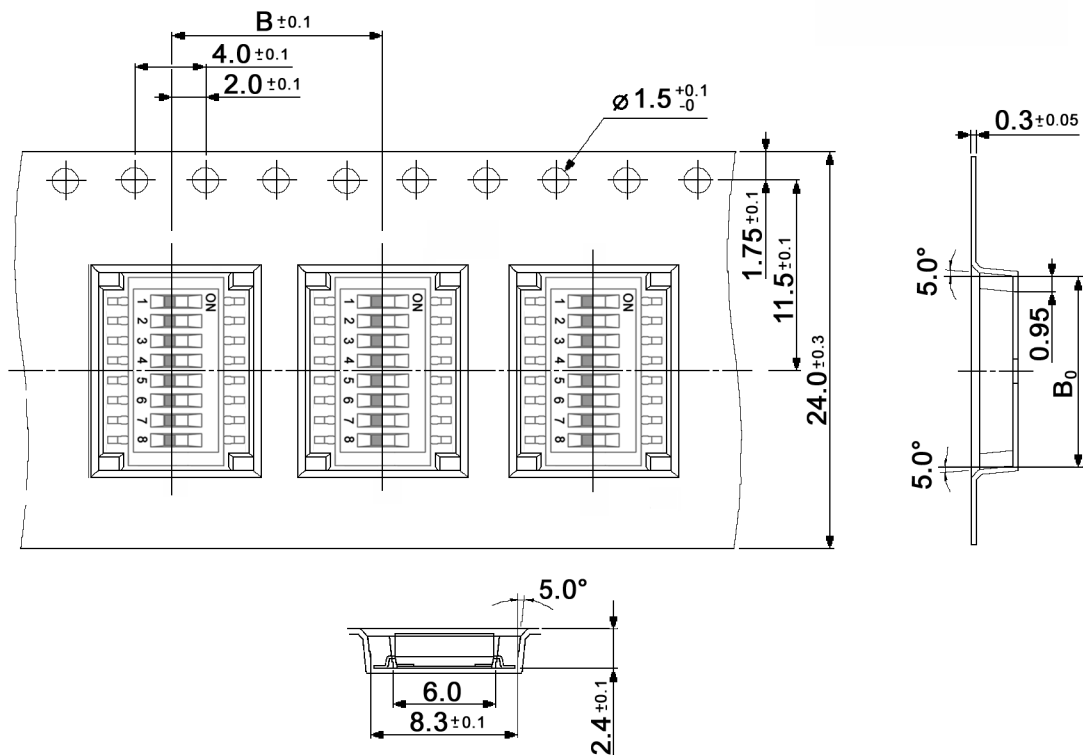
**knitter-switch**

# 30 06 71

Page

4/5

DHS 904 / 906 / 908 / 910 / 912:



Tolerances:			Date	Name	<b>DHS 900</b>	<b>30 06 71</b>	Page
			08/05	dr			
			<b>knitter-switch</b>				
Modifications	Date	Name					5/5