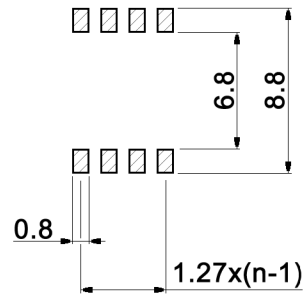


P.C. MOUNTING



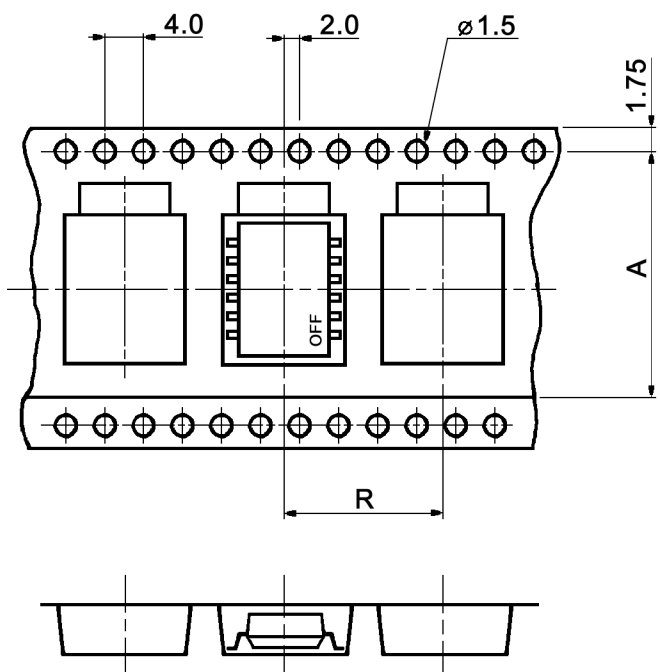
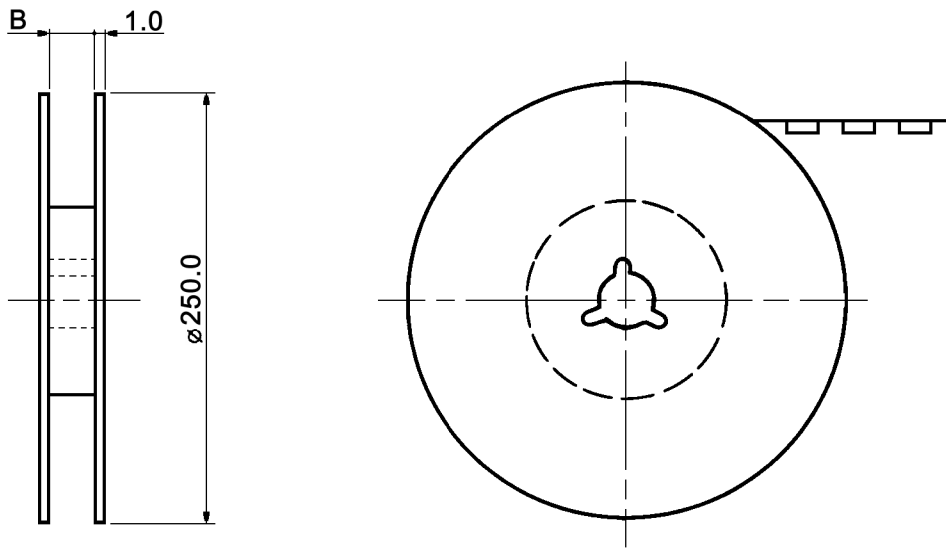
Specifications:

- Contact rating: 100mA, 50V DC
- Contact resistance: 100mOhm max.
- Insulation resistance: 100MOhm min. at 100V DC
- Dielectric strength: 250CV, 50Hz for the duration of 1 minute
- Operating temperature: -20°C to +80°C
- Storage temperature: -55°C to +85°C
- Mechanical life: min. 1 000 cycles
- Soldering conditions: reflow soldering: max.: 250°C, 10sec.
- Mounting: on pc-board - SMD
- Slide position: off
- Material: Case: PPS, black  
Slide: PA  
Terminals / contacts: copper beryllium, gold plated over nickel



Tolerances:	Date	Name	<h1>DHS 10x</h1>	<h2>20 25 69</h2>	Page
	08/09	dr			
Revised	08/09	dr	<b>knitter-switch</b>		1/2
Modifications	Date	Name			

Packaging:



Part No.	A (mm)	B (mm)	R (mm)	Packaging unit (pcs. / reel)
DHS 104	24.0	25.5	12.0	1 000
DHS 106	24.0	25.5	16.0	700
DHS 108	24.0	25.5	12.0	1 000
DHS 110	32.0	33.3	16.0	700



Tolerances:	Date	Name
	08/09	dr
Modifications	Date	Name

**DHS 10x**

**knitter-switch**

**20 25 69**