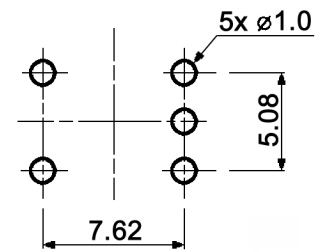
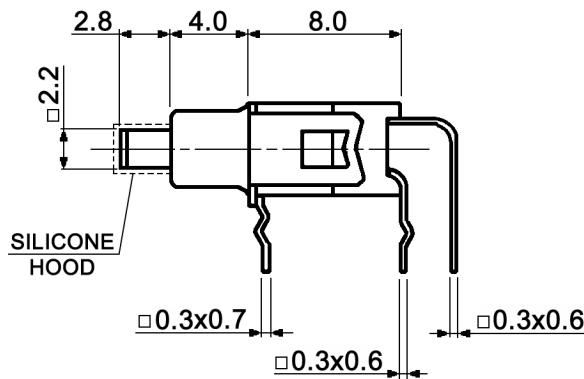


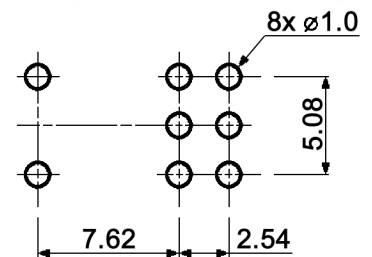
P.C. MOUNTING



ASE 1 x-RA



P.C. MOUNTING



ASE 2 x-RA

Specifications:

- Contact rating: max. 50mA, 0.4VA; max. 48V AC/DC
min. 1µA, 20mV AC/DC
- Contact resistance: 50Ohm max.
- Insulation resistance: 500Mohm min. at 250V DC
- Dielectric strength: 500V, 50Hz for the duration of 1 minute
- Operating temperature: -20°C to +85°C
- Mechanical life: min. 60 000 cycles
- Soldering conditions: auto-soldering: max.: 260 +/-5°C, 5 +/-1sec.
- Mounting: on pc-board
- The cap can be removed after washing
- Material: Contacts: phosphor bronze, gold plated over nickel barrier
Terminals: PC terminals, crimped, phosphor bronze, gold plated over nickel barrier
Case: PBT, meets UL94V-0, washable
Metal parts: nickel plated brass

x	Switch function
D	on - on
E	on - off - on

The closed contacts correspond to the slide position.

UL file number: E140532



Tolerances:	Date	Name
		08/09
Modifications	Date	Name

ASE 1 x-RA / ASE 2 x-RA

knitter-switch

30 17 01

Page

1/1